



Universal Industries

DD

BUCKET ELEVATORS

up to 7,500 CFH
(212 CMH)
/6,000 BPH

WHEN YOU HAVE A BIG JOB TO DO



EXCLUSIVE "EASY DUMP" DESIGN
(DD-2000ED only)

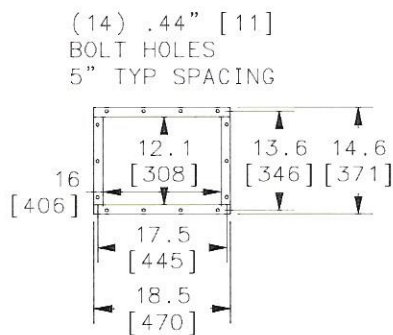
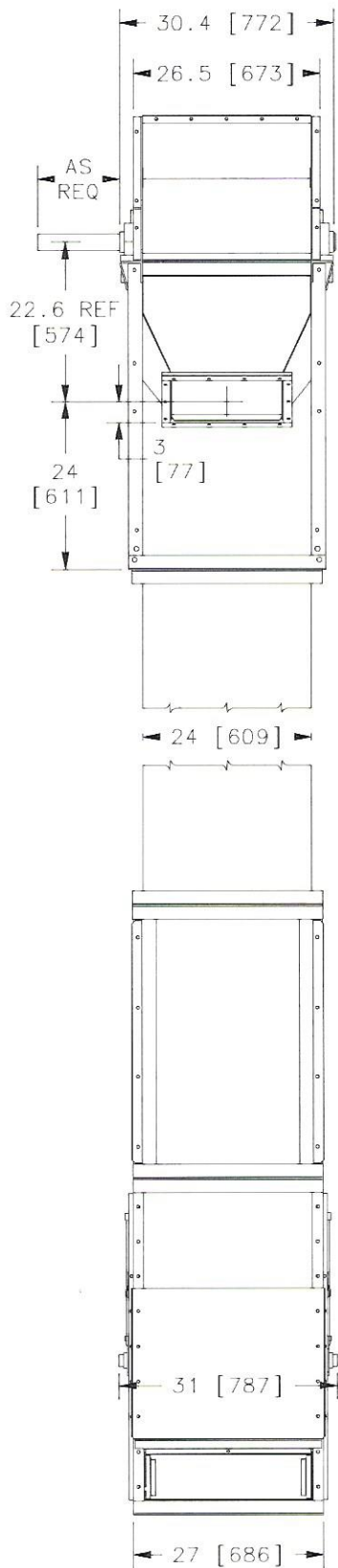
SPECIFICATIONS

Model	DD-2000ED	DD-4500	DD-6000
Capacity - Free Flowing Material @ 85% Bucket fill	2,500 CFH 71 CMH	5,625 CFH 159 CMH	7,500 CFH 212 CMH
Short TPH @ 50lbs. ft ³	62	140	187
Short TPH @ 75lbs. ft ³	93	210	281
Belt Speed	145 FPM	290 FPM	400 FPM
Headshaft RPM	45 RPM	90 RPM	125 RPM
Bucket Spacing	6"	6"	6"
Head Casing	14 ga sides with 11 ga rim		
Headshaft Dia.	2 ⁵ / ₁₆ " dia. to 120', 2 ¹⁵ / ₁₆ " dia. over 120'		
Headshaft Bearing	Ball Bearing Pillow Block, optional roller		
Head Pulley	12 ¹ / ₂ " dia. x 22" wide, vulcanized rubber lagging, Q D hub		
Buckets	9"x5 ¹ / ₂ " plastic or steel, 2 rows 18"x5 ¹ / ₂ " steel, 20"x5 ¹ / ₂ " plastic optional		
Belting	21" wide PVC, optional rubber		
Legging	14 ga twin column, self supporting		
Boot Casing	10 ga		
Bootshaft	1 ¹ / ₁₆ " turned to 1 ¹ / ₈ "		
Bootshaft Bearing	Ball Bearing Take-up Unit		
Boot Pulley	12" dia. x 21" wide wing type		
Construction	Carbon steel		
Drive Package	Optional		
Motor	Optional		

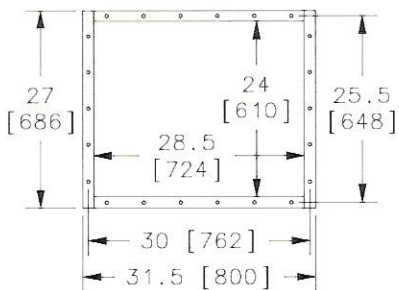
(Guards removed for photos only)

THE TRADITION OF EXCELLENCE CONTINUES!

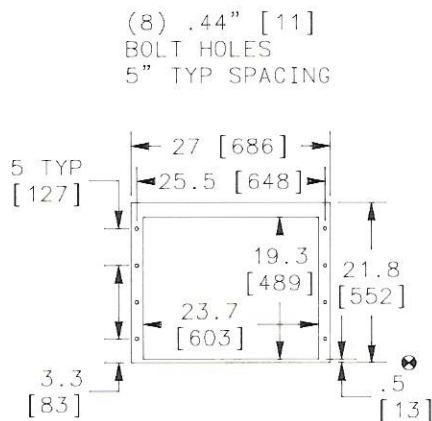
MODEL DD



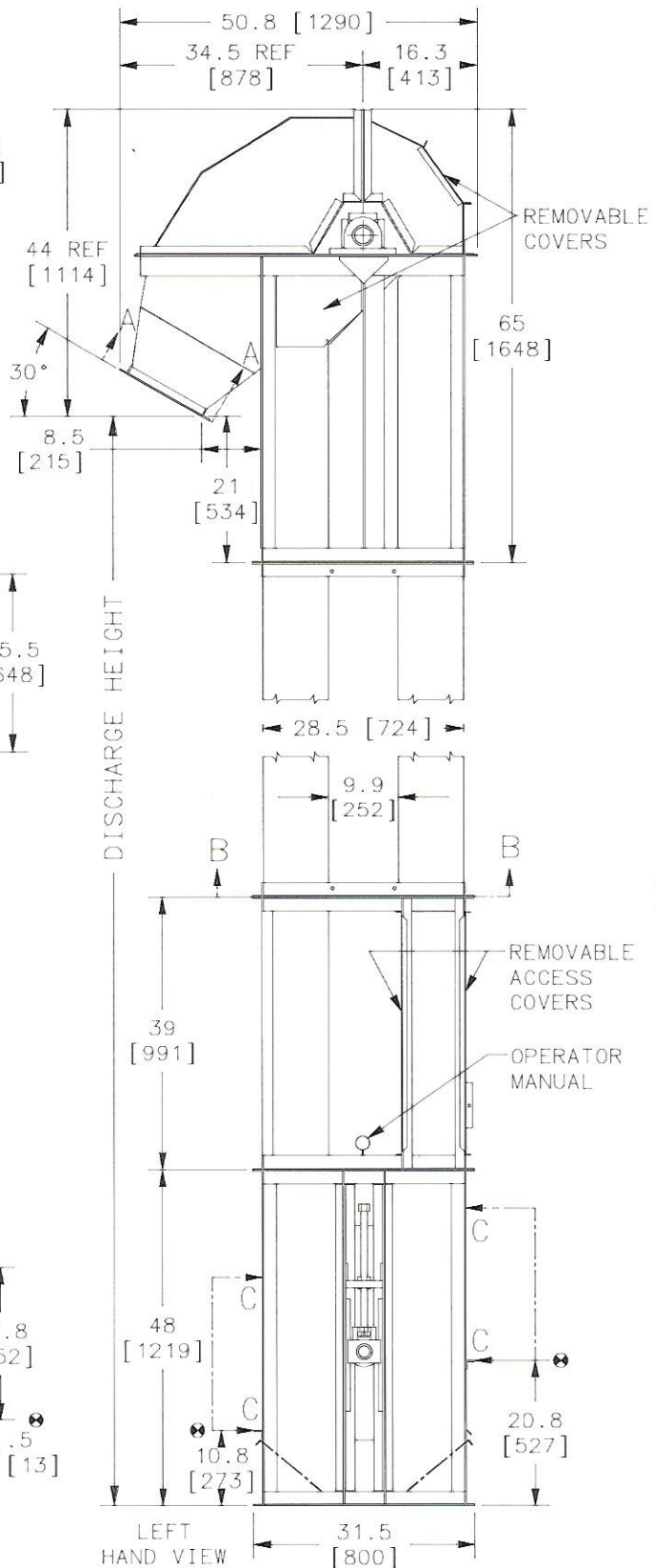
DISCHARGE FLANGE
SECTION A - A



COUPLING FLANGE
SECTION B - B



INLET OPENING
SECTION C - C



NOTE: Unit application, location and specifications determine the type, quantity and/or placement of electrical, electrical safety or other safety controls required. Whether these controls are supplied by Universal Industries or another supplier, all OSHA safety and health standards, the National Electrical Code and local codes must be met and followed. Because we constantly strive to provide the finest material handling equipment, establishing industry standards, specifications must remain subject to change without notice.



5800 Nordic Drive • PO Box 308 • Cedar Falls, IA 50613-0308
1-800-553-4446 • 319-277-7501 • FAX 319-277-2318



Printed in U.S.A. © Copyright 1996

