



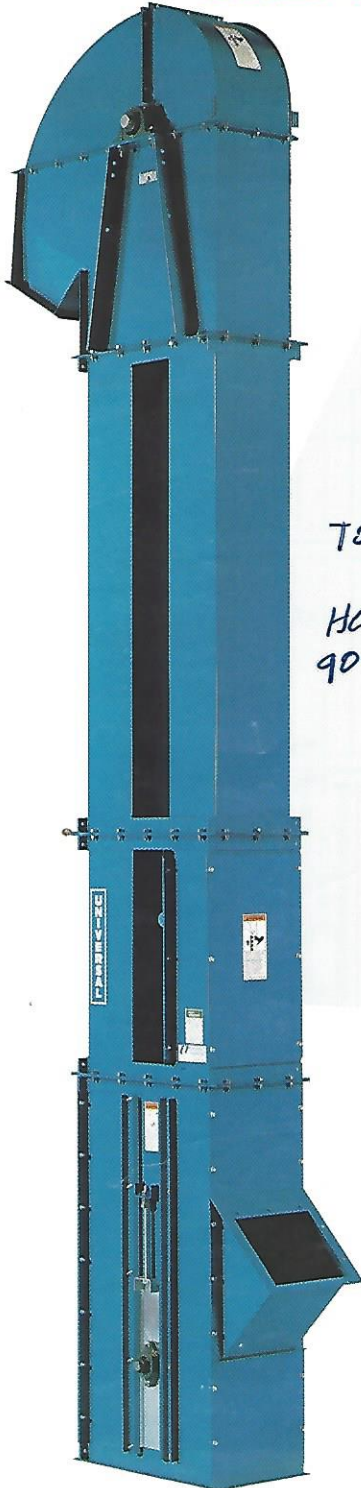
Universal Industries

D3

BUCKET ELEVATORS

up to 3,700 CFH
(105 CMH)
/3,000 BPH

**HIGHER VOLUME WITHOUT
THE DAMAGING HIGHER
SPEED -- GREAT
FOR SEEDS**



*To Get 1500
BPH
Head shaft is
90 RPM*

**EXCLUSIVE "EASY DUMP" DESIGN
(D3-1000ED only)**

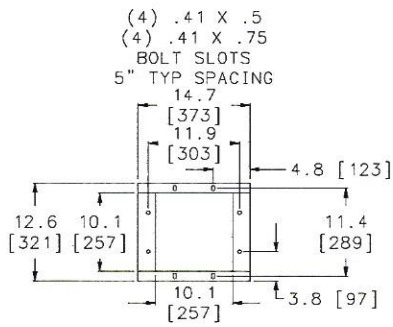
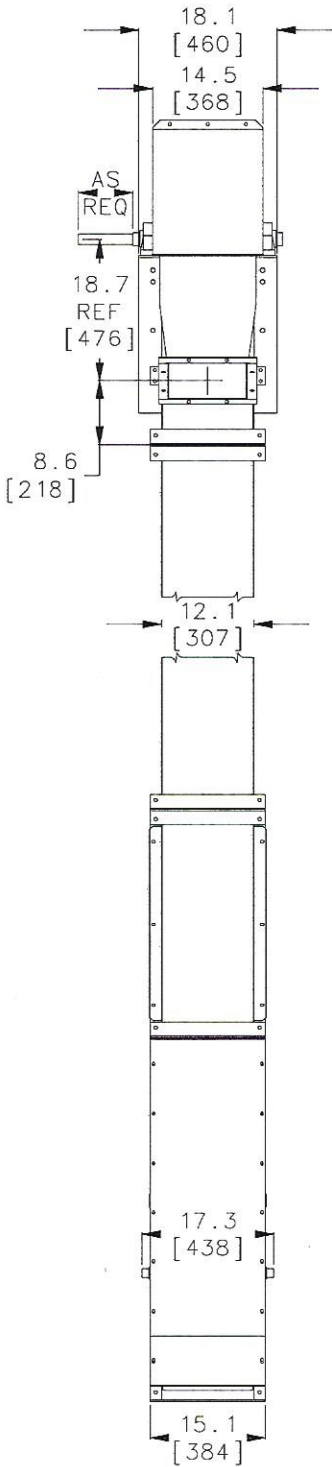
SPECIFICATIONS

Model	D3-1000ED	D3-2000	D3-3000
Capacity - Free Flowing Material @ 85% Bucket fill	1,000 BPH 1,250 CFH 35 CMH	2,000 BPH 2,500 CFH 70 CMH	3,000 BPH 3,700 CFH 105 CMH
Short TPH @ 50lbs. ft ³	30	60	90
Short TPH @ 75lbs. ft ³	46	93	138
Belt Speed	145 FPM	285 FPM	390 FPM
Headshaft RPM	60 RPM	118 RPM	160 RPM
Bucket Spacing	6"	6"	6"
Head Casing	12 gauge		
Headshaft Dia.	1 ¹ / ₈ " diameter to 60', 1 ⁵ / ₈ " diameter over 60'		
Headshaft Bearing	Ball Bearing Pillow Block, roller optional		
Head Pulley	9 ¹ / ₂ " diameter with vulcanized rubber lagging		
Buckets	9" x 5 ¹ / ₂ " plastic or 16 gauge steel		
Belting	10" wide PVC, rubber optional		
Legging	14 gauge twin box columns		
Boot Casing	12 gauge		
Bootshaft	1 ¹ / ₈ " diameter		
Bootshaft Bearing	1 ³ / ₈ " Two bolt flange		
Boot Pulley	Slatted self cleaning style		
Construction	Carbon or galvanized steel		
Drive Package	Optional		
Motor	Optional		

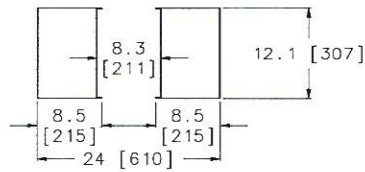
**THE TRADITION OF
EXCELLENCE CONTINUES!**

(Guards removed for photos only)

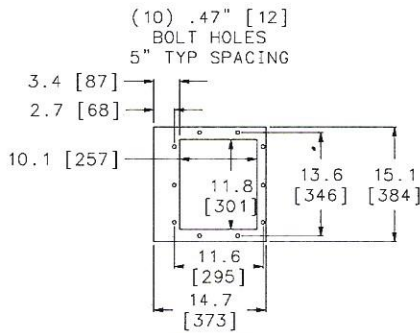
MODEL D3



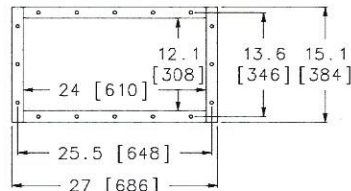
DISCHARGE FLANGE
SECTION A - A



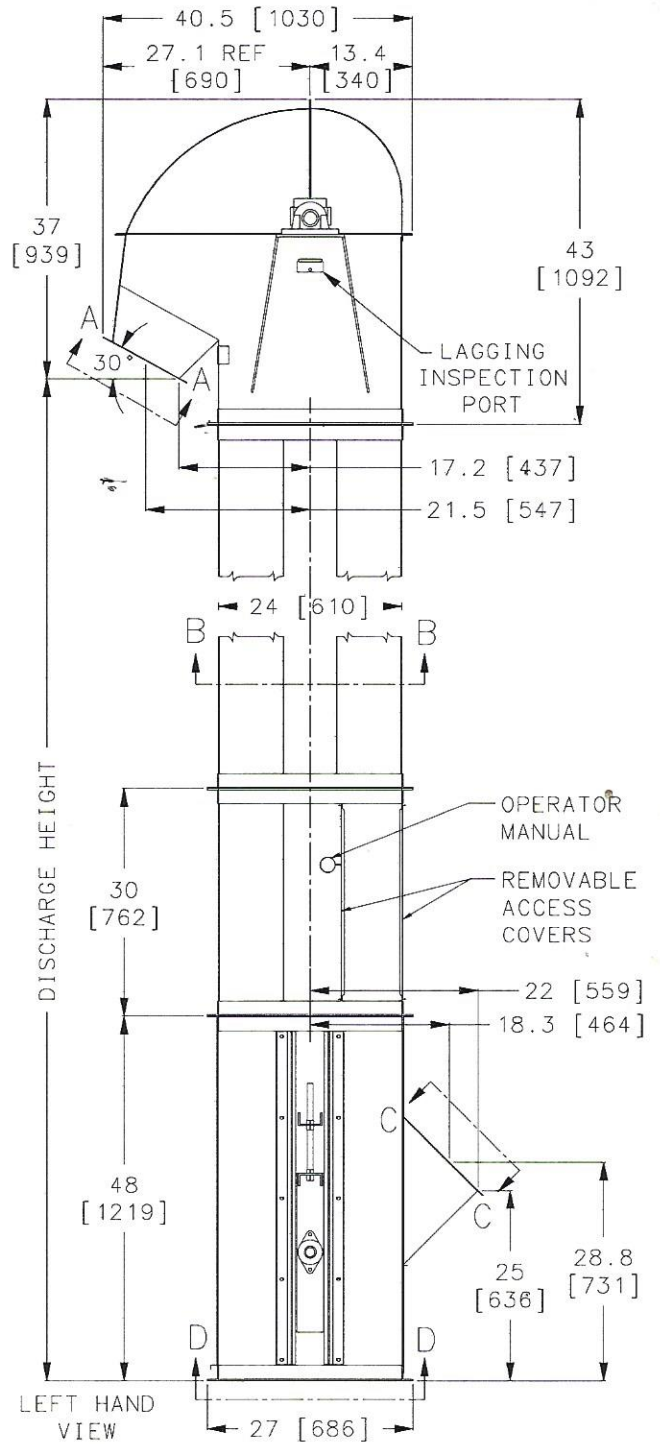
SECTION B - B



INLET OPENING
SECTION C - C



COUPLING FLANGE
SECTION D - D



NOTE: Unit application, location and specifications determine the type, quantity and/or placement of electrical, electrical safety or other safety controls required. Whether these controls are supplied by Universal Industries or another supplier, all OSHA safety and health standards, the National Electrical Code and local codes must be met and followed. Because we constantly strive to provide the finest material handling equipment, establishing industry standards, specifications must remain subject to change without notice.

