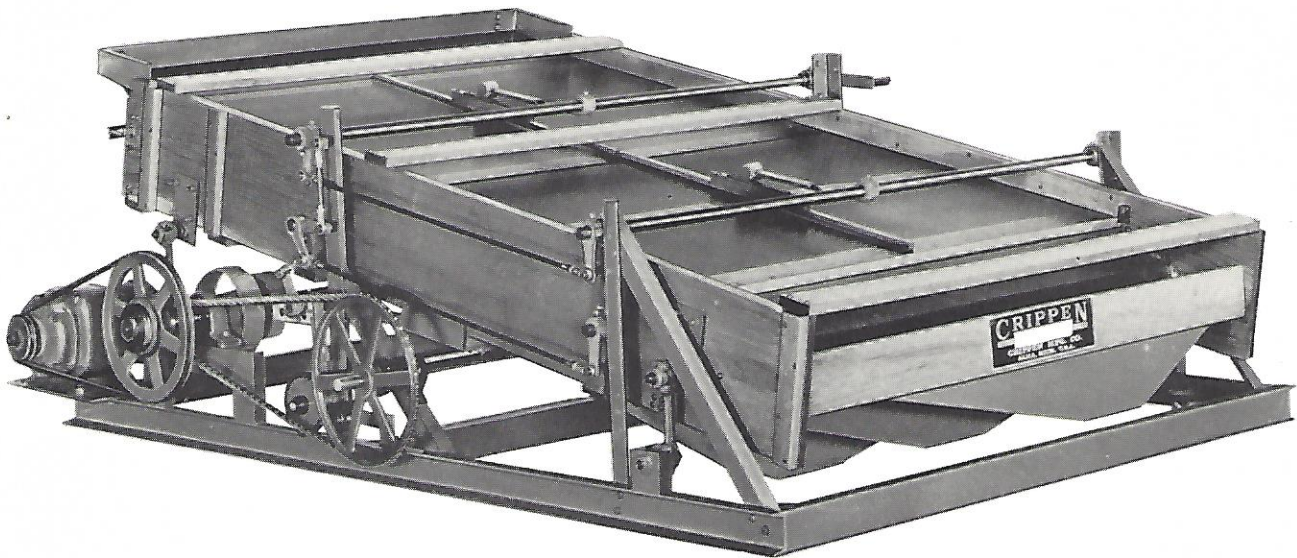


# CRIPPEN

series  
PH  
PG  
PM

SCALPERS

**ROUGH-SCALP • CLEAN • GRADE  
FEED PELLETS-FEED GRAIN**



SHOWN ABOVE PM2-5472 RIGHT SIDE VIEW

**POSITIVE ECCENTRIC SCREEN SHAKE  
GIVES IDENTICAL SCREEN TRAVEL  
UNDER ALL LOAD CONDITIONS**

**COMPACT DESIGN- 6 DIFFERENT  
MODELS TO CHOOSE FROM**

**SELF-CLEANING SPOUTS**

**OPTIONAL EQUIPMENT:**

**GRAVITY FLOW FEED HOPPER**

**ALL METAL CONSTRUCTION**

**SCREEN TAPPERS**

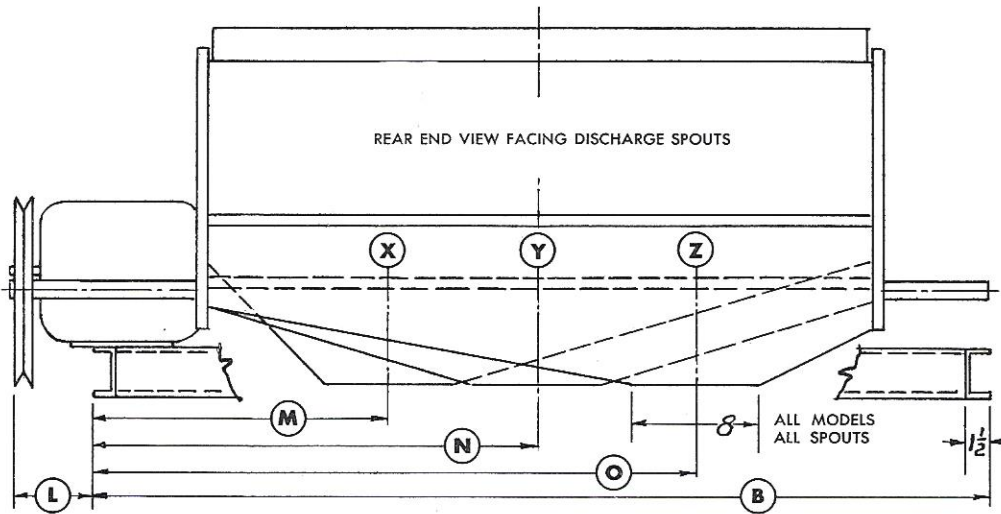
The positive eccentric screen shake on these models gives you the very best screen action under all conditions. Surge loads, or uneven flow from spouting when feeding directly to screen do not effect screen action. Heavy duty ball bearings. For problem separations, screen tappers are available to assure open perforations and increase capacity.

**CRIPPEN MANUFACTURING COMPANY, INC.**

ALMA, MICHIGAN, U. S. A.

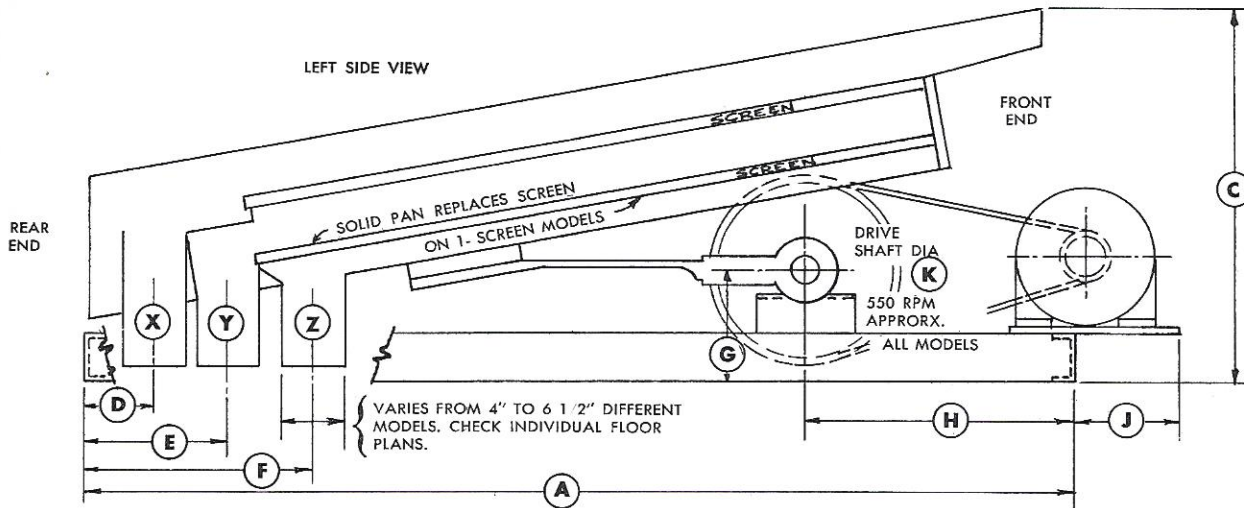


# GENERAL DIMENSIONS



O. A. SCREEN		SIZE
MODEL	W	L
PH-242	42	44
PH-254	54	44
PG-242	42	54
PG-254	54	54
PM2-4272	42	72
PM2-5472	54	72

NOTE:  
FEED HOPPER - When Ordered  
ADD APPROX. 17" to O. A. HT  
AT FRONT END of Machine



## SPECIFICATIONS

MODEL	HP	CAPACITY-TONS/hr.*	A	B	C	D	E	F	G	H	J	K	L	M	N	O
PH-242 *	3/4	3-4	63-1/4	56-3/4	24	4-1/2	9-1/4	14-3/4	7	17	6-10" DEPENDING ON MOTOR & DRIVE SETUP	1-15/16	5	18-3/8	28-3/8	38-3/8
PH-254	3/4	3-4	63-1/4	68-3/4	24	4-1/2	9-1/4	14-3/4	7	17		1-15/16	5	24-3/8	34-3/8	44-3/8
PG-242	3/4	4-5	74	52-3/4	30	4-1/2	9-1/4	14-3/4	10-5/8	18-1/4		1-15/16	4-1/2	16-3/8	26-3/8	36-3/8
PG-254	3/4	4-5	74	64-3/4	30	4-1/2	9-1/4	14-3/4	10-5/8	18-1/4		1-15/16	4-1/2	22-3/8	32-3/8	42-3/8
PM2-4272	1	5-6	92	52-3/4	40	5-3/4	13	19-1/2	11	22		1-15/16	2	16-3/8	26-3/8	36-3/8
PM2-5472	1	5-6	92	64-3/4	40	5-3/4	13	19-1/2	11	22		1-15/16	2	22-3/8	32-3/8	42-3/8

\*AV. CAPACITY FEED PELLETS. CAPACITY ANY COMMODITY DEPENDS ON SCREEN SIZES USED.

CRIPPEN MANUFACTURING COMPANY, INC.

