

S-100 SS & S-600 SS METERED SLURRY

Non-corrosive stainless steel construction in treater and blending chamber for longer, more profitable machine life.

30-gallon pre-mix tank is constructed of tough, light-weight plastic — one motor mixes chemical and pumps it to the metering tank.

Basic design and a minimum of moving parts mean reliable performance.

Gustafson's Counterweight Measuring System measures seed and chemical simultaneously for consistently accurate results.

Especially gentle treatment of easily damaged seeds.

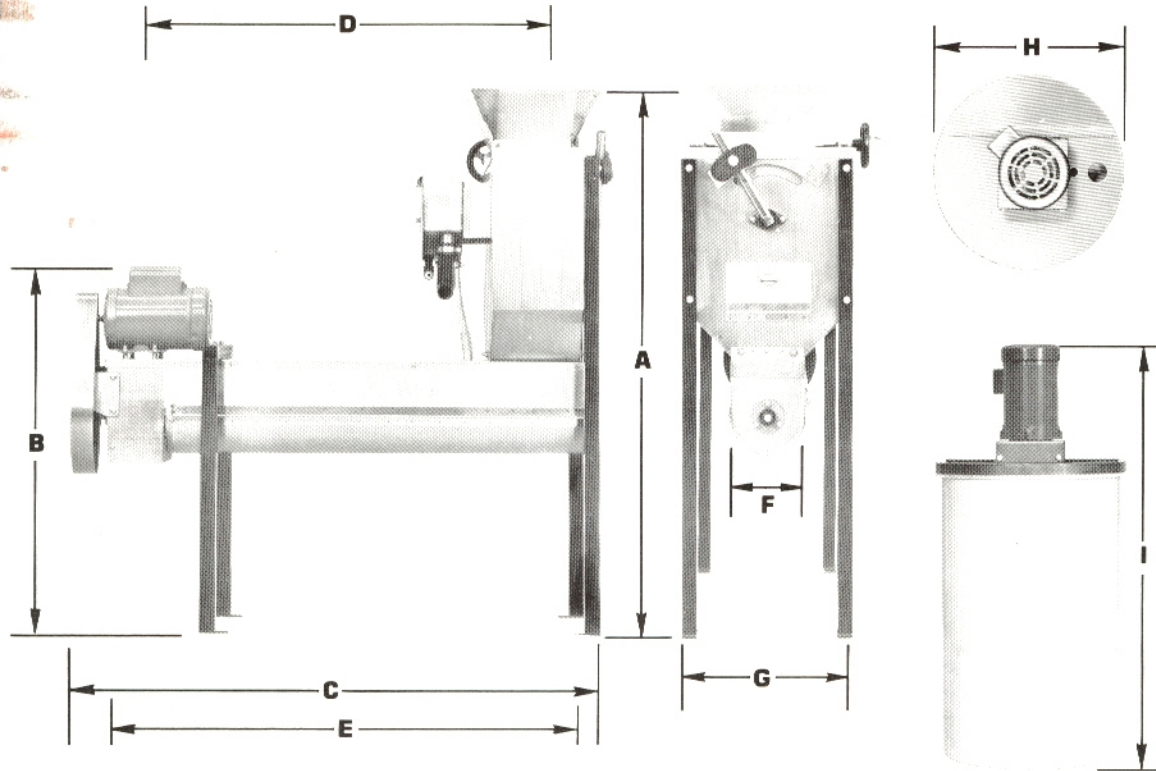
Blending chamber is equipped with choice of nylon brushes or rod auger for blending.

Optional powder hopper available for dry treatment of peanuts, sugar beet, vegetable seeds, etc.

Available with optional dual metering tanks for simultaneous treating with two incompatible chemicals.

Variable speed drive available for blending chamber to assure a constant level of seed in the blending chamber.

Gustafson 



TECHNICAL DATA

SPECIFICATIONS/DIMENSIONS

	S-100 SS	S-600 SS
Capacity*	300 bu/hr	550 bu/hr
Blending Chamber Motor	1 hp TEFC	1½ hp TEFC
Pre-Mix Tank Motor	1/3 hp	1/3 hp
Treater Height (A)	55" 140 cm	55" 140 cm
Blending Chamber Height (B)	36" 91 cm	36" 91 cm
Over-All Length (C)	55" 140 cm	80" 203 cm
Length Intake Center to Discharge Center (D)	42" 107 cm	63" 160 cm
Blending Chamber Length (E)	48" 122 cm	72" 183 cm
Blending Chamber Diameter (F)	8" 20 cm	10" 25 cm
Treater Width (G)	18" 46 cm	18" 46 cm
Pre-Mix Tank Diameter (H)	20" 51 cm	20" 51 cm
Pre-Mix Tank Height (I)	43" 109 cm	43" 109 cm

OPTIONS

1. Dual Metering Tanks
2. Additional Blending Chamber Length
3. Blending Chamber Variable Speed Drive
4. Powder Hopper
5. Two-Way Bagger
6. Brush or Flighting and Rods in Blending Chamber
7. P-4 Pump for Pre-Mix Tank, when Tank Cannot Be Placed Next to Treater

*Capacities will vary with the type of seed being treated, the amount of chemical applied to the seed and the kind of mixing element used in the blending chamber.

Normal product development and improvement may cause variances from the above specifications and/or dimensions. Gustafson, Inc., therefore, reserves the right to incorporate any changes without notice.

Gustafson Inc.

6600 Washington Ave. South/Hopkins, Minnesota 55343/(612) 941-1630
6350 LBJ Freeway, Suite 111/Dallas, Texas 75240/(214) 661-1334

952-445-6868